

SHA7 Standard Headroom
(1.6t-20t)



SHA8 Low Headroom
(1t-12.5t)



SHA7 Foot-mounted Hoist
(1.6t-20t)



SHA7 Low Headroom
(1.6t-20t)



SHA7 Standard Headroom
(1.6t-20t)

SHA 7

Low-headroom Electric Wire Rope Hoist

Electronic unit

- Stable and durable contactor control, reliably work in bad condition
- Standard three phase voltage:380-415v,50hz(440-480v,60hz)
- Standard control voltage:48v
- Sturdy and durable control panel, IP54 protecting level

Control System

- Automatic orientation
- Automatic centering
- Automatic rectify deviation
- Inch moving ,joggle
- Anti-shock
- Regional Protection
- Electronic anti-sway
- Remote communication, digital maintenance



Travelling driving unit

- Motor,gearbox and brake three-in-one
- Compact structure ,small size and light weight
- Direct drive flexible design, stable torque transfer
- 30% rotational efficiency higher than traditional coupling
- Suitable for frequency reverse switching
- Squirrel cage variable frequency motor, 60% ED
- IP55 protecting level, H level insulation
- Safe and reliable DC brake
- Aluminum alloy shell, hard tooth surface reducer, well sealing without oil leakage



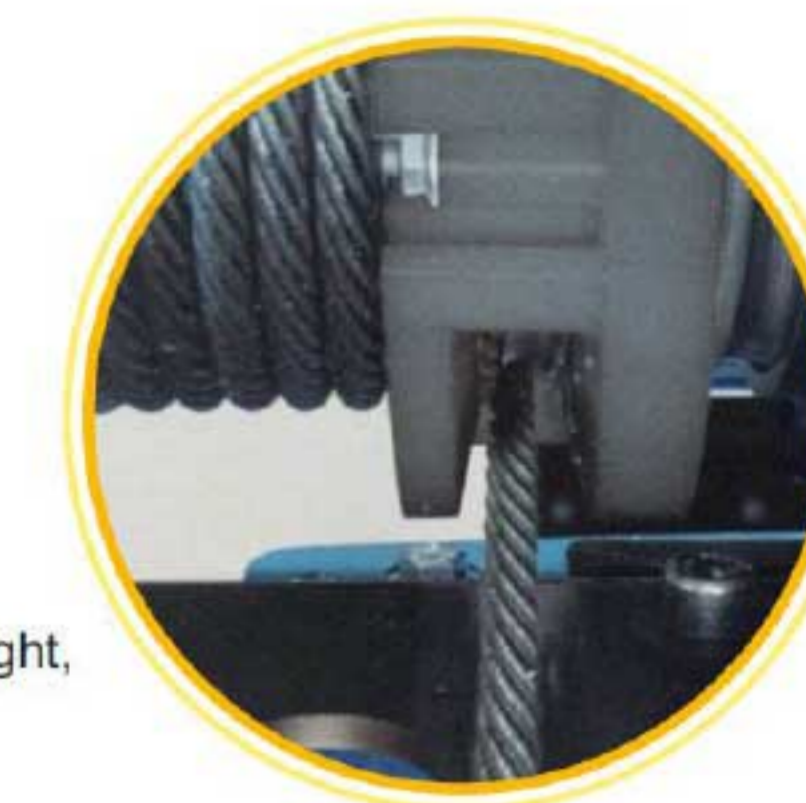
Hook Assembly

- Match to the standard of DIN15400/15401, forged by high strength alloy steel
- With safety latch to protect safely
- 360° horizontal and 180° vertical rotations operation easily
- High strength extrusion pulley, high finish rope groove to avoid friction with wire rope



Rope guider

- Circular design
- Precise rope guide system
- High performance engineering material,light weight, sturdy and reliable

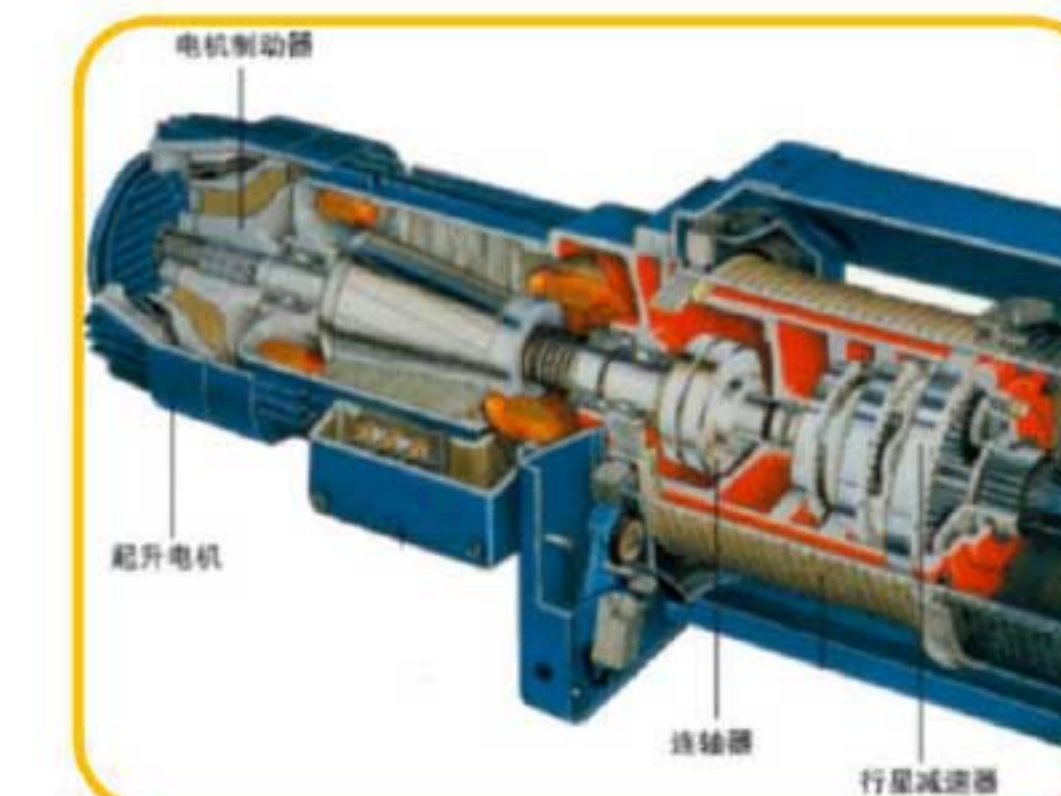


Wire Rope

- High strength pressed solid galvanized wire rope
- 1770N/mm² tensile strength
- More 5 times safety factor
- Good flexibility and long service life
- 40% smaller than traditional wire rope
- Press rope block for special use, intensively layout to prevent form loose, fastening is more reliable
- Fusible cutout rope technology,fusible surface is firm
- Effectively prevent from loose to extend service life

Lifting drive unit

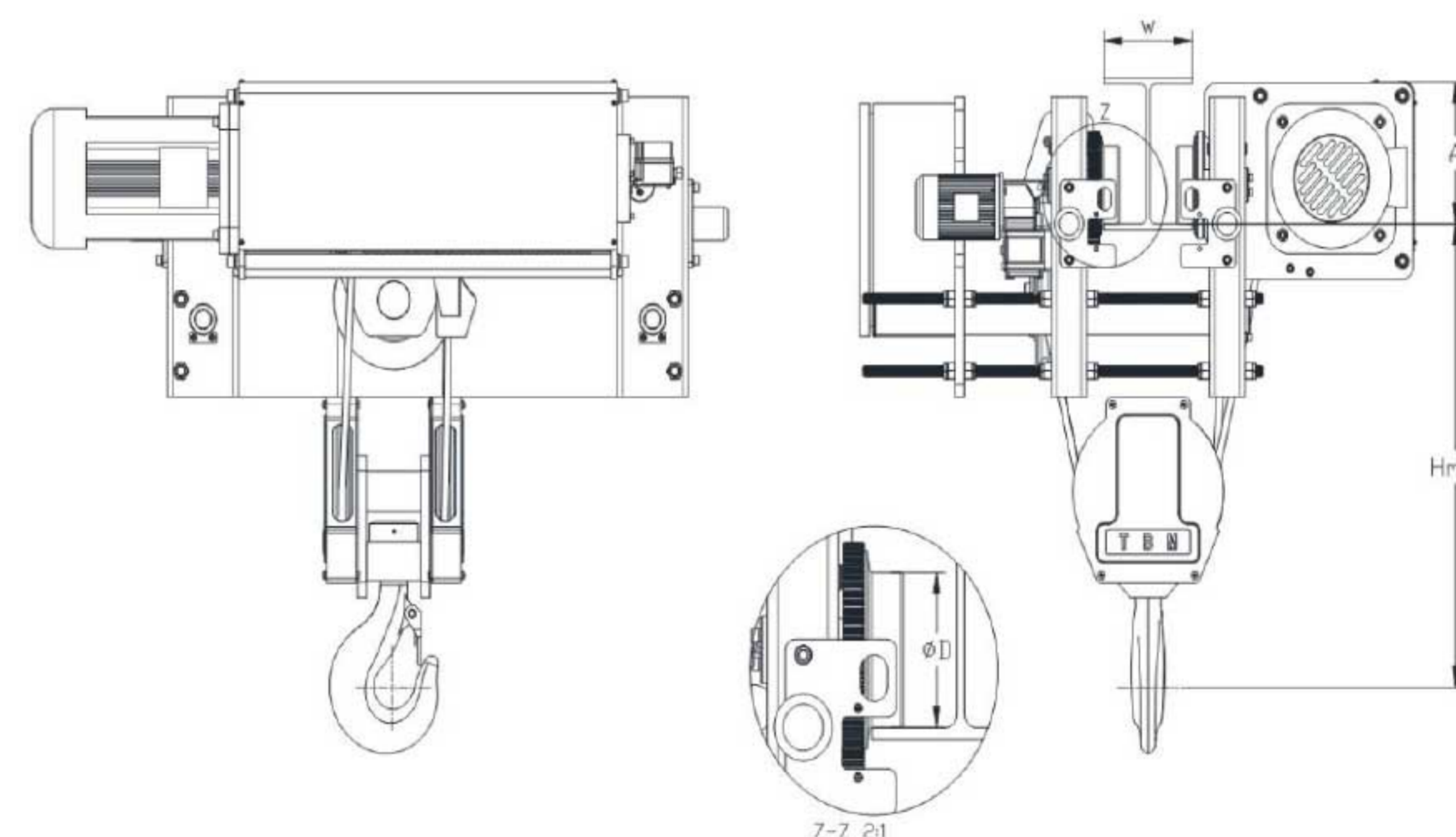
- High reliability single speed lifting motor,optional double speed.
- IP54 protecting level, B level insulation
- High-tech totally enclosed planetary gearbox
- Quenched and fine ground gear makes motor stable and low notice
- Free maintenance design:no need to change lubrication oil in lifetime
- Reliable and safety brake,without asbestos
- The safety factor of brake is higher than 180%, manual release for optional





SHA7

Low Headroom Wire Rope Hoist



Technical Parameters

Model	Capacity (t)	Working Grade	Rope Reeving	Lifting Speed (m/min)	Lifting Motor (kw)	Travelling Speed (m/min)	Travelling Motor (kw)	Rail Width Range W (mm)		Wire Rope Diameter (mm)	Wheel Diameter D (mm)	A (mm)	Hmin (mm)	Lifting Height (m)
								I-Beam	H-Beam					
SHA7-4D	1.6	M4	2/1	9/2.2	3/0.8	20/5	0.37/0.1 x2	100-180	100-400	8	100	220	600	12/18/24/30
	3.2	M4	4/1	4.5/1.1	3/0.8	20/5	0.37/0.1 x2	100-180	100-400	8	100	220	550	6/9/12/15
SHA7-5D	3.2	M4	2/1	8/2	4.5/1.1	20/5	0.37/0.1 x2	110-180	110-460	11	125	220	750	9/12/18/24
	6.3	M4	4/1	4/1	4.5/1.1	20/5	0.37/0.1 x2	110-180	110-460	11	125	220	650	6/9/12
SHA7-6D	5	M4	2/1	8/2	7.5/2	20/5	0.37/0.1 x2	120-180	120-460	15	150	270	950	12/18/24
	10	M4	4/1	4/1	7.5/2	20/5	0.75/0.18 x2	120-180	120-460	15	150	270	850	6/9/12

NOTE: Both Lifting and Travelling motor can be equipped with single speed or inverter motor, The power value is the fast power value.

SHA7

Monorail Electric Wire Rope Hoist

- European safety and protection standard, High stability and efficiency.
- Better quality and cost-effective
- Quality products,excellent cost performance

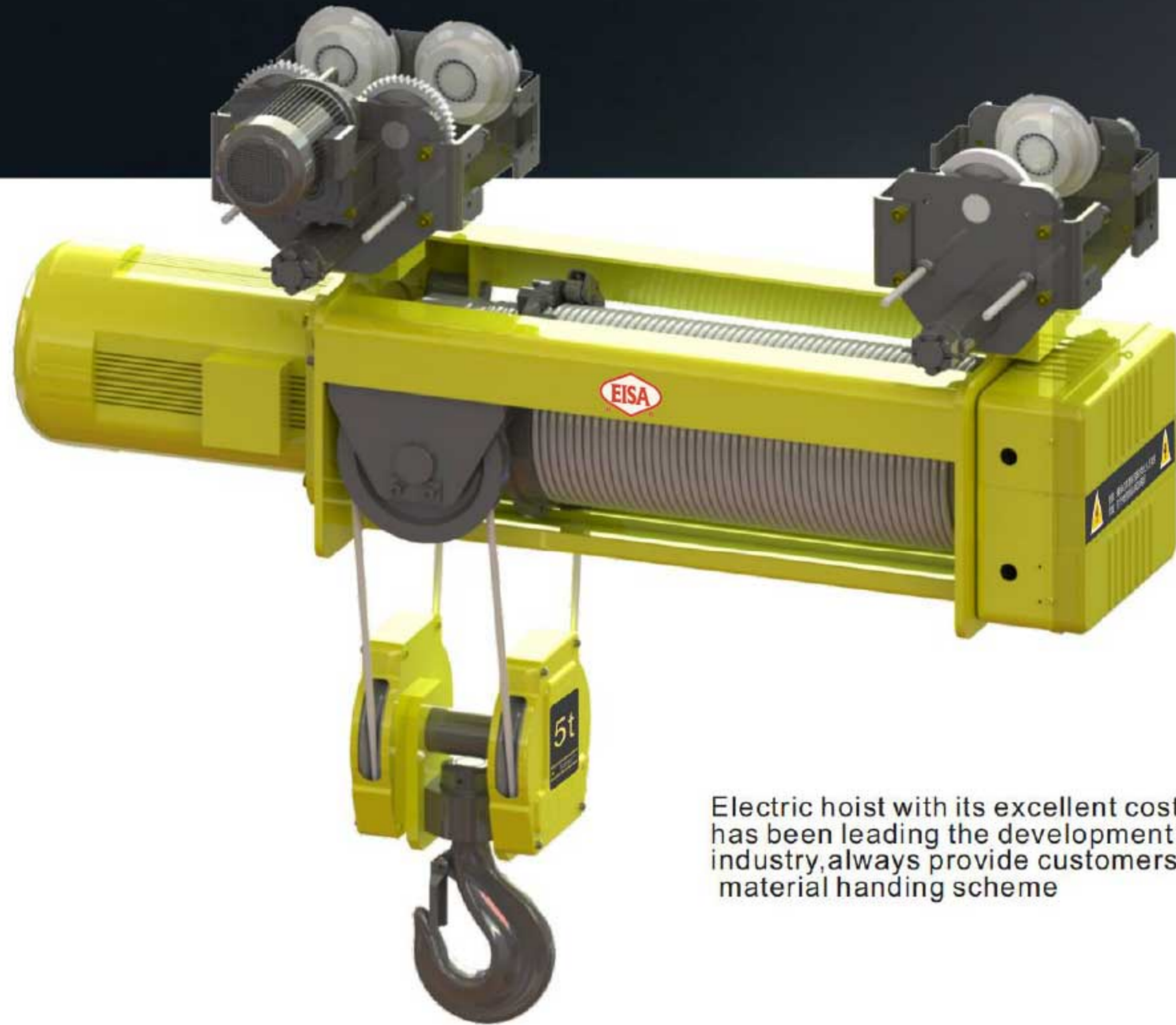


SHA7 Monorail Electric Wire Rope Hoist

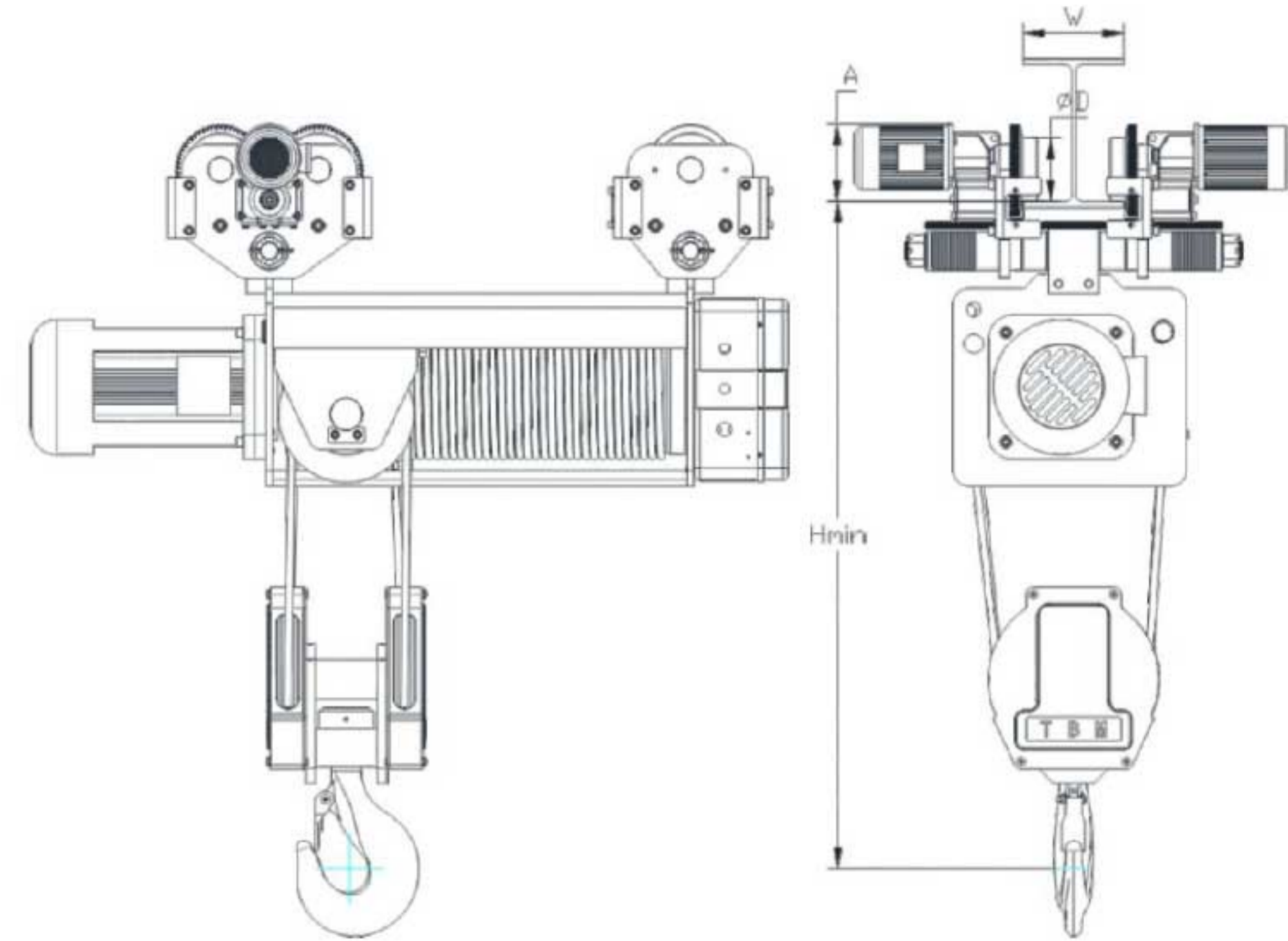
- 1.Light weight ,small size,compact structure,smooth operation; especially suitable for the high lifts and short turning radius.
- 2.As per European security standard;adopts U-shaped connecting plate assembly;horizontal guide wheel device to ensure smooth running,reducing the resistance and improving the efficiency.
- 3.Trolley connecting channels ensure running of both the trolleys simultaneously
- 4.High strength suspension bolts allow the hoist to adopt flexible beam flange width;
- 5.Modular design of control box adopts first-class brand of electrical components ,protection for Phase fault , phase deficiency and short circuit.Frequency control system(VVFD) is available(optional) to make the operations more safe and smooth.
- 6.Integrated travel motion gear motor drive unit ensures smooth operation,long life and low noise;
- 7.The planetary gearbox has advantages of light weight ,compact size,high efficiency,stable operation and low noise.
- 8.Based on traditional CD/MD type hoist,TBM has improved to SHA7 that makes it superior over similar products.

SHA7

Monorail Electric Wire Rope Hoist



Electric hoist with its excellent cost performance, has been leading the development of electric hoist industry, always provide customers with the optimal material handling scheme



Detailed design ensures smart appearance of the hoist, integrated with high strength trolley assembly, drive motor, modular control box etc. It also ensures safety, reliability and cost-effectiveness.

Technical Parameters

Model	Capacity (t)	Working Grade	Rope Reeving	Lifting Speed (m/min)	Lifting Motor (kw)	Travelling Speed (m/min)	Travelling Motor (kw)	Rail Width Range W (mm)		Wire Rope Diameter (mm)	Wheel Diameter D (mm)	A (mm)	Hmin (mm)	Lifting Height (m)
								I-Beam	H-Beam					
SHA7-4B	1.6	M4	2/1	9/2.2	3/0.8	20/5	0.37/0.1	100-180	100-420	8	100	157	1050	9/12/18/24/30
	3	M4	4/1	4.5/1.1	3/0.8	20/5	0.37/0.1	100-180	100-420	8	100	157	1000	6/9/12/15
SHA7-5B	3	M4	2/1	8/2	4.5/1.1	20/5	0.37/0.1	100-180	100-420	11	100	157	1200	9/12/18/24/30
	6.3	M4	4/1	4/1	4.5/1.1	20/5	0.75/0.18	110-180	110-420	11	100	157	1100	6/9/12/15
SHA7-6B	5	M4	2/1	8/2	7.5/2	20/5	0.75/0.18	110-180	110-420	15	100	157	1300	9/12/18/24/30
	10	M4	4/1	4/1	7.5/2	20/5	0.75/0.18x2	120-180	120-460	15	125	160	1300	6/9/12/15
SHA7-7B	10	M4	2/1	7/1.8	13/3.4	20/5	0.75/0.18x2	120-180	120-460	18	125	160	1450	9/12/18/24/30
	20	M4	4/1	3.5/0.9	13/3.4	20/5	0.75/0.18x2	130-180	130-300	18	150	180	1400	6/9/12/15

NOTE: Both Lifting and Travelling motor can be equipped with single speed or inverter motor, The power value is the fast power value.

SHA 8 Low-headroom Electric Wire Rope Hoist

Electronic unit

- Stable and durable contactor control, reliably work in bad condition
- Standard three phase voltage:380-415v,50hz(440-480v,60hz)
- Standard control voltage:48v
- Sturdy and durable control panel, IP54 protecting level



Control System

- Automatic orientation
- Automatic centering
- Automatic rectify deviation
- Inch moving ,joggle
- Anti-shock
- Regional Protection
- Electronic anti-sway
- Remote communication, digital maintenance



Travelling driving unit

- Motor , gearbox and brake three-in-one
- Compact structure , small size and light weight
- Direct drive flexible design, stable torque transfer
- 30% rotational efficiency higher than traditional coupling
- Suitable for frequency reverse switching
- Squirrel cage variable frequency motor 60% ED
- IP55 protecting level, H level insulation
- Safe and reliable DC brake
- Aluminum alloy shell, hard tooth surface reducer, well sealing without oil leakage



Hook Assembly

- Match to the standard of DIN15400/15401, forged by high strength alloy steel
- With safety latch to protect safely
- 360° horizontal and 180° vertical rotations operation easily
- High strength extrusion pulley, high finish rope groove to avoid friction with wire rope

Rope guider

- High performance engineering material,light self-weight,sturdy and reliable
- Circular design
- Precise rope guide system



Lifting drive unit

- Ip55 protecting level, F level insulation
- High efficiency double speed lifting motor, ratio 6:1
- 60% ED, strong power and sufficient stock
- With thermal protecting function to prevent from over temperature
- Sturdy and durable aluminum alloy motor, light weight, good heat dissipation
- High-tech totally enclosed aluminum alloy gearbox
- Quenched and fine ground gear makes motor stable and low noise
- Free maintenance design:no need to change lubrication oil in lifetime
- DC brake, quick response
- The safety factor of brake is higher than 180%, manual release for optional
- With self-adjust function
- More than one million times brake operation



Imported Wire Rope

- High strength pressed solid galvanized wire rope
- 2160N/mm² tensile strength
- 40% smaller than traditional wire rope
- Good flexibility and long service life
- Press rope block for special use, intensively layout to prevent form loose, fastening is more reliable
- Fusible cutout rope technology,fusible surface is firm
- Effectively prevent from loose to extend service life

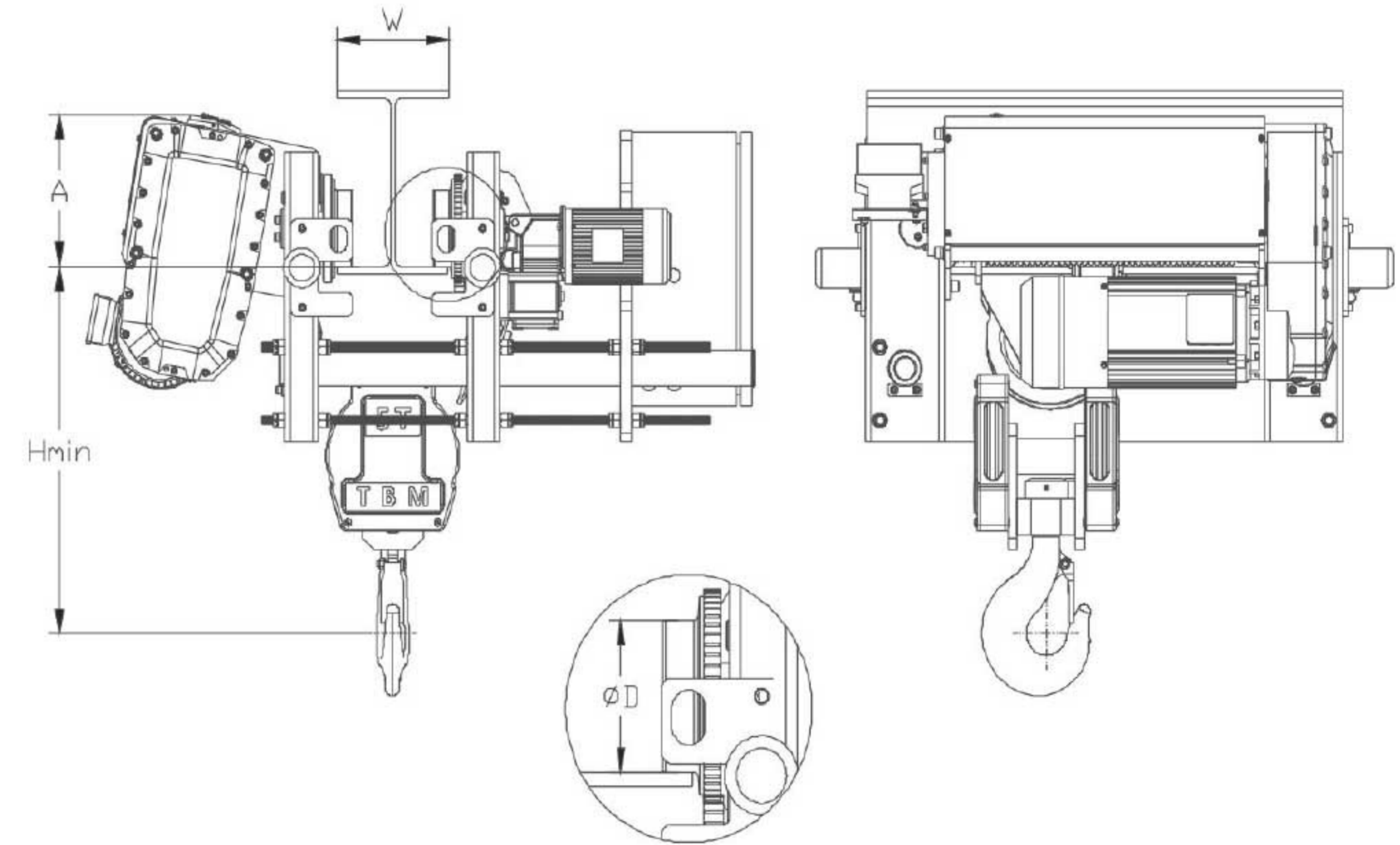


SHA 8 Low-headroom Electric Wire Rope Hoist

The hoist body is welded by professional proximate matter,with exquisite structure, excellent appearance and unique innovations.



Designed as per the latest international DIN and FEM standards, have reached the technical level of similar products abroad, and are suitable for various material transfer sites such as machining shops, assembly shops, warehouse and other material handling sites especially for sites where the height of workshop is major limited.



Technical Parameters

Model	Capacity (t)	Duty	Rope Reaving	Lifting Speed (m/min)	Lifting Motor (Kw)	Travelling Speed (m/min)	Travelling Motor (Kw)	Rail width range W(mm)		Wire Rope Diameter (mm)	Wheel Diameter D(mm)	A (mm)	Hmin (mm)	Lifting height (m)
								I Beam	H Beam					
SHA8-2D	1	M7	2/1	10/1.6	3.2/0.45	20/5	2* 0.37/0.1	100~180	100~400	7	100	220	600	12/18/24/30
	1.25	M6	2/1	10/1.6										
	1.6	M5	2/1	10/1.6										
	2	M7	4/1	5/0.8										
	2.5	M6	4/1	5/0.8										
SHA8-3D	2	M6	2/1	10/1.6	6.0/0.9	20/5	2* 0.37/0.1	110~180	110~460	9	125	249	700	12/18/24/30
	2.5	M5	2/1	10/1.6										
	3.2	M4	2/1	10/1.6										
	4	M6	4/1	5/0.8										
	5	M5	4/1	5/0.8										
SHA8-4D	4	M6	2/1	10/1.6	9.5/1.5	20/5	2* 0.37/0.1	120~180	120~460	13	150	336	900	12/18/24/30
	5	M5	2/1	10/1.6										
	6.3	M4	2/1	10/1.6										
	8	M6	4/1	5/0.8										
	10	M5	4/1	5/0.8										
	12.5	M4	4/1	5/0.8	12.5/1.9		0.75/0.18					800	6/9/12/15	

Note: Inverter motor is for optional for lifting motor and travelling motor